

All Dimensions are in mm



Product may differ from image

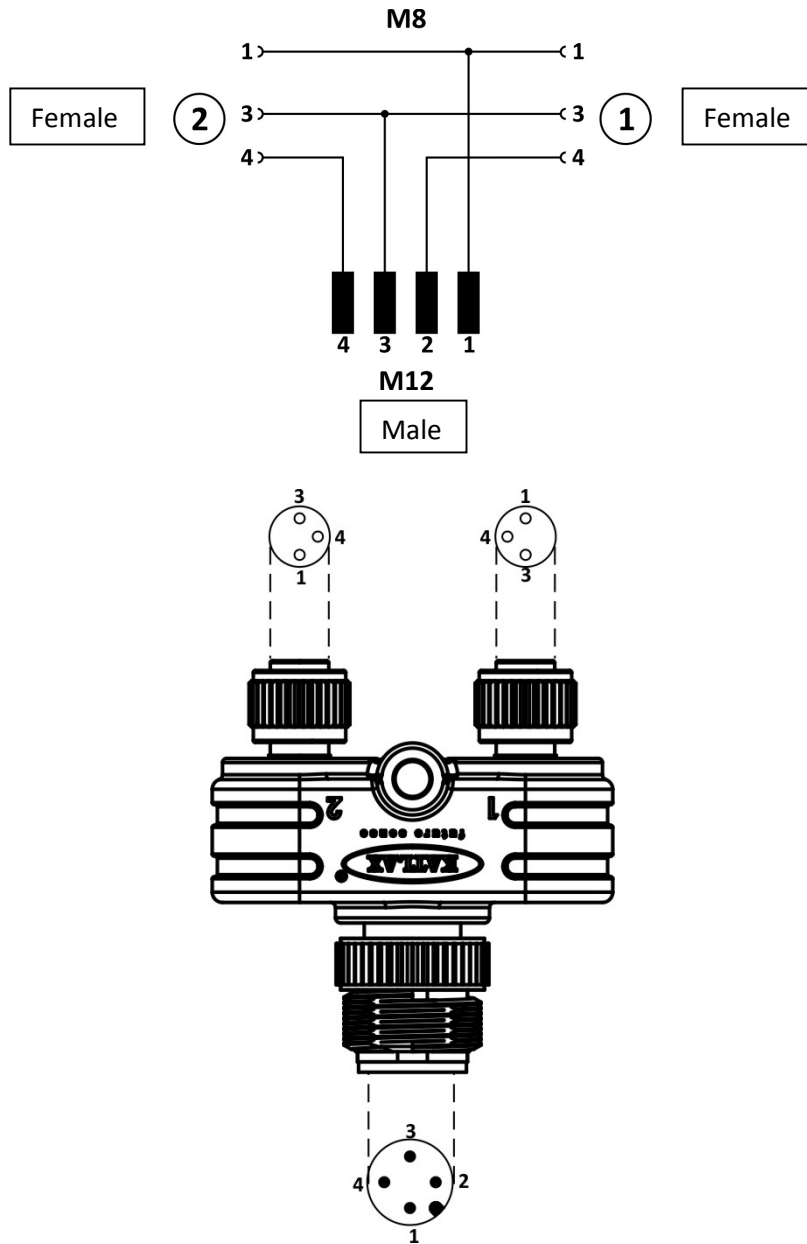
### Technical Specification

	I/P End	O/P 1	O/P 2
Connector	M12, Male	M08, Female	M08, Female
Rated Voltage	60V	60V	60V
Coding	A	A	A
Number of pins	4	3	3
Current (at 40°C)	4A	4A	4A
Contact material	CuZn, Ni/Au (Gold Flash)	CuZn, Ni/Au (Gold Flash)	CuZn, Ni/Au (Gold Flash)
Contact carrier material	Nylon 66	Nylon 66	Nylon 66
Coupling nut material	CuZn, nickel plated	CuZn, nickel plated	CuZn, nickel plated

Insulation resistance	$\geq 10^8 \Omega$
Ambient temperature	-25°C...+85°C
Sealing material	Neoprene
Grip body material	TPU, Black
Shielding	No
Mechanical life-cycle	>100 mating cycles
Degree of protection	IP67
Degree of pollution	3
Standards	IEC 61076-2-101 (M12) / IEC 61076-2-104 (M08)

Specifications are subject to change without notice.

Electrical connection



Specifications are subject to change without notice.



Type Approved  
Safety  
Regular Production  
Surveillance

www.tuv.com  
ID 1111210482



Type Approved  
Safety  
Regular Production  
Surveillance

www.tuv.com  
ID 1111210483

